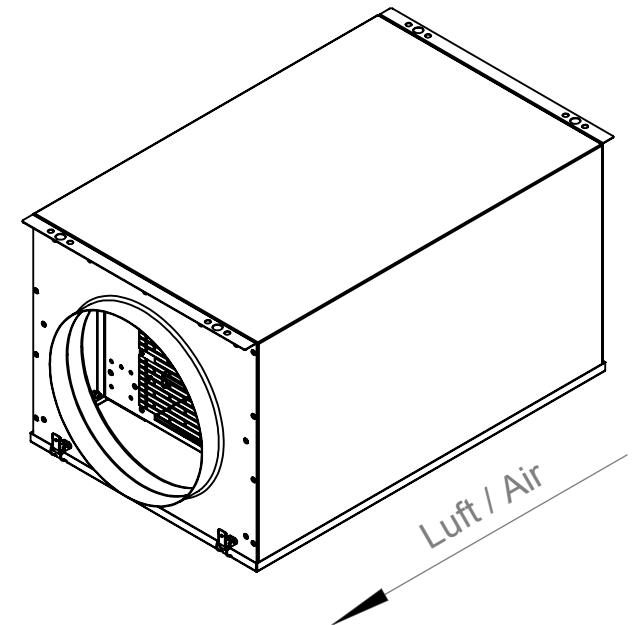


Einbaulage/  
Installation position



1:10 A4 mm

Protection Mark  
according to ISO16016

General tolerances  
DIN ISO 2768-mK

FFH3150-2

Drawn: d.andree  
Created: d.andree  
Changed:

27.10.14  
27.10.14

131178 00

**InoxAir**®